

HYVA PTO'S



PNEUMATICALLY OPERATED POWER TAKE-OFF

Hyva

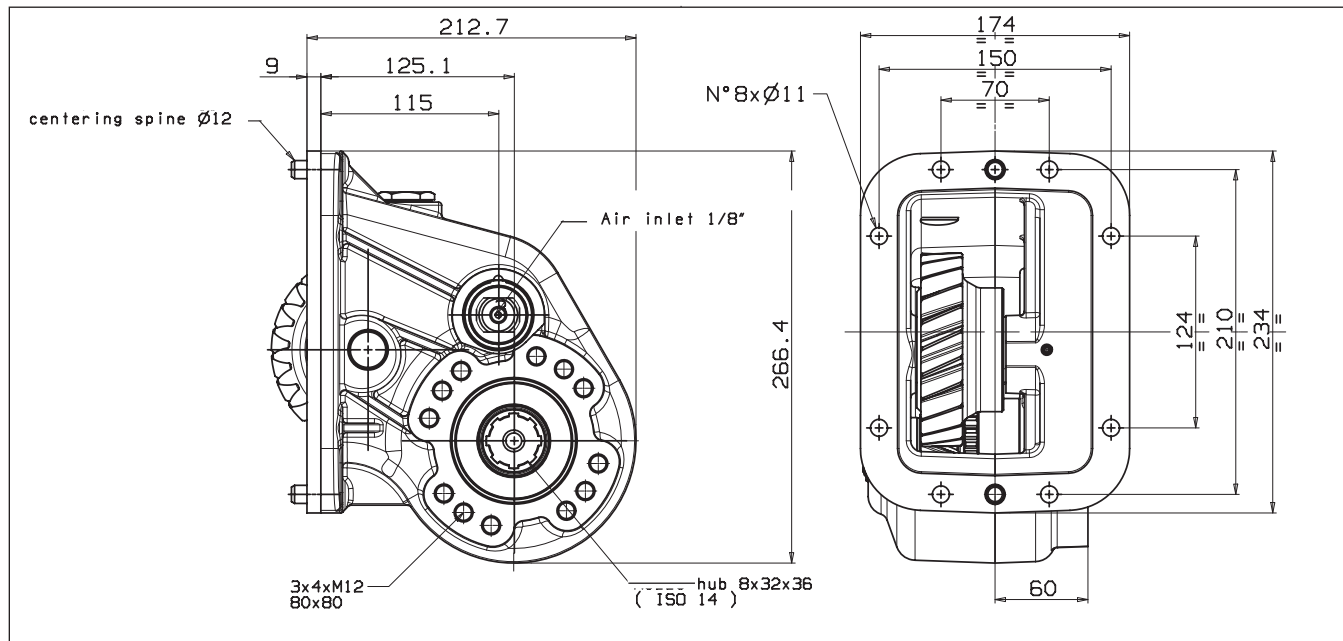
Partno. PTO only:

021211072

Type Gearbox:

SCANIA

Page 1 / 1



Specifications

| | |
|-------------------------|------------|
| Type Gearbox | GR-GRH 900 |
| PTO ratio@1000 eng. rpm | 1182 prm |
| Max torque | 480 Nm |
| Mounting side | Right |
| Output | Rear |
| Rotation | Cw |

Mounting kit

| | |
|----------|-----------|
| Part no. | 021461002 |
|----------|-----------|

