

HYVA CYLINDER

714 06 509



type: UMB 169-6-1780-K258-50-3/4"-HC

tipping weight: 12-23 ton

page # 1 / 2

Stage diameters 169 149 129 110 91 72	front view cylinder		<table border="1"> <tr><td>A</td><td>230</td></tr> <tr><td>ØC</td><td>192</td></tr> <tr><td>G¹</td><td>525</td></tr> <tr><td>I</td><td>267</td></tr> <tr><td>K¹</td><td>258</td></tr> <tr><td>M¹</td><td>99</td></tr> <tr><td>ØP</td><td>100</td></tr> <tr><td>ØQ</td><td>65</td></tr> <tr><td>S</td><td>284</td></tr> <tr><td>ØW</td><td>50</td></tr> <tr><td>X</td><td>45</td></tr> </table>	A	230	ØC	192	G ¹	525	I	267	K ¹	258	M ¹	99	ØP	100	ØQ	65	S	284	ØW	50	X	45
A	230																								
ØC	192																								
G ¹	525																								
I	267																								
K ¹	258																								
M ¹	99																								
ØP	100																								
ØQ	65																								
S	284																								
ØW	50																								
X	45																								

¹including 20 mm pull-out [tol. -5; +30 mm]

²cylinder is delivered including oil inlet swivel adapter and cup

specifications

total stroke ¹	1780 mm
dry weight cylinder only	86 kg
total volume	23.5 L
working volume	21.7 L
maximum pressure	220 bar
maximum pump flow	61 l/min
maximum allowable thrust first stage ³	20.0 ton
oil inlet	3/4" BSP

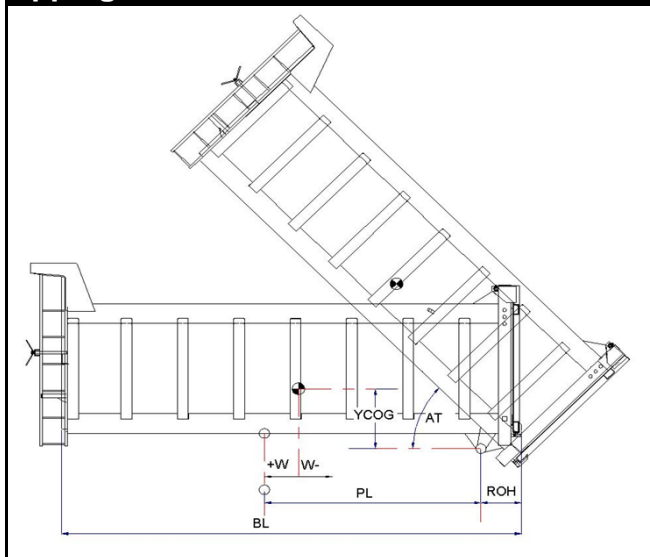
technical notes

This cylinder is a lifting device only and may not be used as a structural member or be subjected to side load. Sideload and/or poor alignment might result in cylinder leakage. Hyva therefore strongly recommends the use of a cradle, even in instances where the cylinder only tips to the rear or to the side. The cylinder is painted black RAL9005. For suitable hydraulic oils, please refer to data sheet OIL-0011. For details of available brackets and cradles, please refer data sheet 015BRA06.

Detailed calculations can be made using the HYVA Tipper Program, freely available from tipper.hyva.com.

³The cylinder thrust on the first stage (from the HYVA Tipper Program) must not exceed the maximum allowable (see specifications above).

tipping view



tipping weight

PL	2320	mm	2050				
YCOG	700	mm	700				
ROH	700	mm	700				
BL	6710	6040	5490	mm	6110	5500	5000
CYL w.r.t. COG (W)	-340	0	270	mm	-310	0	250
	Tipping weight for full stroke of 46°			Tipping weight for full stroke of 52°			
Tipping weight	12	14	17	ton	13	16	20
	Tipping weight for second last stage, up to 38°			Tipping weight for 2nd last stage, up to 43°			
Tipping weight	17	20	23	ton	17	20	23

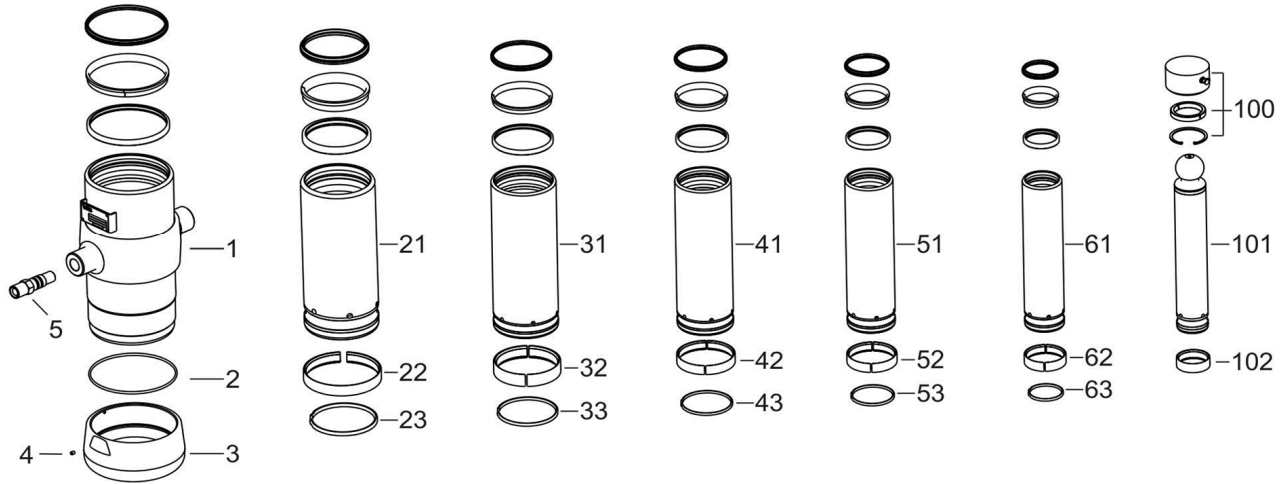
HYVA CYLINDER

714 06 509

type

UMB 169-6-1780-K258-50-3/4"-HC

page # 2 / 2



Spare part list

Pos	Part no.	Description	Qty.
1	73507300	BASE 191-0398-N0159	1
2	01226780	O-RING 184 X 4 70 SHORE	1
3	73101050	THREADED BOTTOM UM 191	1
4	01792571	LOCKING SCREW M6X12 INT. HEX. DIN 916	1
5	73103002	OIL INLET ADAPTOR UM 3/4"OT+O-RING	1
21	73606301	STAGE 169-0398-HC	1
22	71807169 K	SLIDER FL 169	1
23	71813169 K	LIFTRING FL 169x5	1
31	73605301	STAGE 149-0398-HC	1
32	71807149 K	SLIDER FL 149	1
33	71812149 K	LIFTRING FL 149/HP 150	1
41	73604301	STAGE 129-0398-HC	1
42	71807129 K	SLIDER FL 129/GF 129 (2 X 1/2)	1
43	71812129 K	LIFTRING FL 129/HP 129	1
51	73603301	STAGE 110-0398-HC	1
52	71807110 K	SLIDER FL 110/GF 110 (2 X 1/2)	1
53	71812110 K	LIFTRING FL 110	1

Spare part list

Pos	Part no.	Description	Qty.
61	73602301	STAGE 091-0398-HC	1
62	71807091 K	SLIDER FL 091 (2 X 1/2)	1
63	71812091 K	LIFTRING FL 091	1
100	01745102	RETAINER KIT UMB D.65	1
101	73401301	PISTON B 072-0438-HC	1
102	71807072 K	SLIDER FL 072 (2 X 1/2)	1

Seal kit complete

Part no.	Description
719 04 660K	Complete packset: Consists of all packsets with packset grease and o-ring.